

Slurry Wafer Knife Gate Valve SKW



HEAVY DUTY Slurry Wafer Knife Gate Valve isolates flow, even in the most demanding process conditions. The complete valve is built around an ease of maintenance concept.

The Flowrox SKW contains only three service parts; ring sleeves, upper seal and the valve gate.

USABILITY BASED ON DESIGN

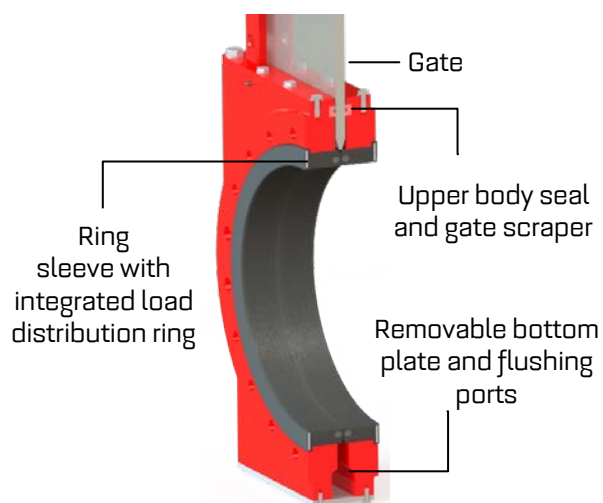
Flowrox SKW represents a new generation of knife gate valves.

The SKW design is born from the many years of experience Flowrox has gained, providing reliable solutions for abrasive and corrosive process applications.

Distribute the load – Flowrox SKW features a new load distribution ring that prevents over compression and ensures 100% sealing between the ring sleeve and the valve gate. To add to ease of maintenance, the load ring has been integrated into valve sleeves.

Act freely – The universal tower design of the valve accommodates most actuator types, allowing for actuator interchangeability after valve installation. The tower also ensures that the top plate, body and actuator are always aligned with the pipeline and the gate is in the right position.

Make it easy – In installation, bolts can be pushed through the flange and they act as a guard during the installation. The valve body itself is one piece and takes away the need for sealing between the body halves. It also makes the maintenance easy to perform.



Benefits in the process

- Bi-directional flow tolerates backflow
- Free flow of the process medium
- 100% isolation
- Only the ring sleeves in contact with the process medium
- Integrated load distribution ring
- Integrated upper body seal and gate scraper
- Removable bottom plate accommodates flushing ports
- Face-to-face according to industry standard

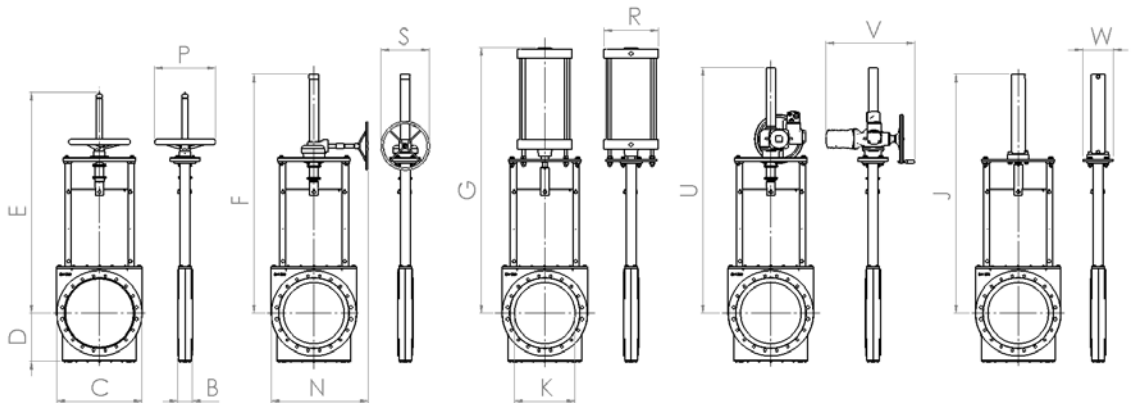
PRODUCT SPECIFICATION

Type	Size (DN)	Actuator	Pressure class (PN)	Flange drilling	Body material	Gate material	Ring sleeve material	Auxiliaries
SKW	50 80 100 150 200 250 300 350 400 450 500 600	M = handwheel MG = manual with gearbox A = pneumatic AU = pneumatic with pneumatic spring H = hydraulic E = electric	10 = 10 bar standard	2 = DIN PN10 3 = DIN PN16 4 = DIN PN25 5 = DIN PN40 6 = ANSI150 7 = ANSI300 9 = other	0 = Cast iron / Welded steel 2 = AISI 316 4 = other	S = AISI 316 Other on request COATING: 0 = nothing	NR = natural rubber +75°C max NBR = nitrile +100°C max EPDM = ethylene propylene +120°C max	R = readiness for inductive limits R1 = AC/DC R2 = DC, PNP R3 = DC, NPN Z1 = solenoid valve, 24V DC Z2 = solenoid valve, 220V, 50/60 Hz Z3 = solenoid valve, 110V, 50/60 Hz G = guard

Type marking example: SKW100M10-20S0-NR-R1

Standard features

- Gate lock out pins
- Bottom plate with flushing ports
- Stem protection (M, MG & E actuators)



DIMENSIONS AND WEIGHTS

Valve size (DN)	B	B*	C	D	E	F	G	J	U	K	N	P	R	S	V	W	Weight (kg)				
					M	MG	A	H	E		MG	M	A	MG	E	H	M	MG	A	E	H
50	54	58	165	102	566	-	586	-	-	-	-	350	110	-	-	-	20	-	17	-	-
80	57	61	200	112	628	-	683	-	739	80	-	350	110	-	513	-	24	-	22	48	-
100	57	61	230	132	648	-	725	-	751	100	-	350	120	-	513	-	30	-	28	51	-
150	64	68	285	157	921	-	972	-	879	150	-	350	176	-	513	-	42	-	49	64	-
200	76	80	346	188	1006	1148	1115	988	972	200	466	350	220	400	513	150	61	87	75	83	59
250	76	80	410	223	1133	-	1316	-	1150	250	-	350	250	-	537	-	82	-	113	104	-
300	83	87	483	262	-	1380	1512	-	1363	300	535	-	340	400	537	-	-	134	190	150	-
350	83	87	533	285	-	1455	1661	1521	1481	350	560	-	340	400	724	200	-	145	215	184	146
400	95	99	600	322	-	1574	1799	1700	1600	400	698	-	340	400	724	200	-	186	260	222	187
450	95	99	645	352	-	1875	2049	1831	1834	450	771	-	450	400	724	250	-	229	318	262	243
500	121	125	705	403	-	1962	2180	1962	2015	500	801	-	450	400	731	250	-	316	400	370	320
600	121	125	825	447	-	2250	2323	2291	2234	600	861	-	630	400	795	250	-	461	592	532	484

B* Ring sleeve uncompressed

Dimensions and weights are indicative only – detailed drawings are available on request. All dimensions are in millimeters.

FLOWROX OY

P.O. Box 338, FI-53101 Lappeenranta, Finland
Tel. +358 201 113 311, Fax +358 201 113 300
info@flowrox.com, www.flowrox.com

