

Flowrox PVG Valves



Features

- 100% tight
- Full bore
- Only rubber sleeve in contact with the medium
- Flexible sleeve
- Field replaceable
- Long lifetime
- Opening tags

Process benefits

- No jamming or clogging
- Low maintenance
- Trouble-free operation
- Long service intervals
- Reduced cost of ownership

Flowrox PVG is a robust yet compact pinch valve engineered with the highest quality standards. It is made for processes involving pressure resistance, abrasion, corrosion and aggressive slurries. PVG offers substantial savings through improved performance, long service lifetime and low maintenance costs with pressure capabilities up to 10 bar.

COMPACT SOLUTION

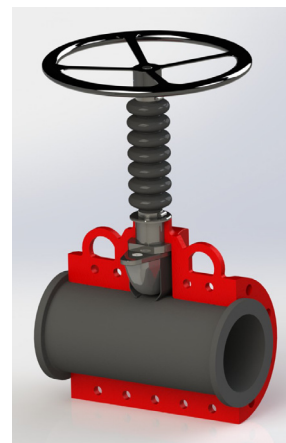
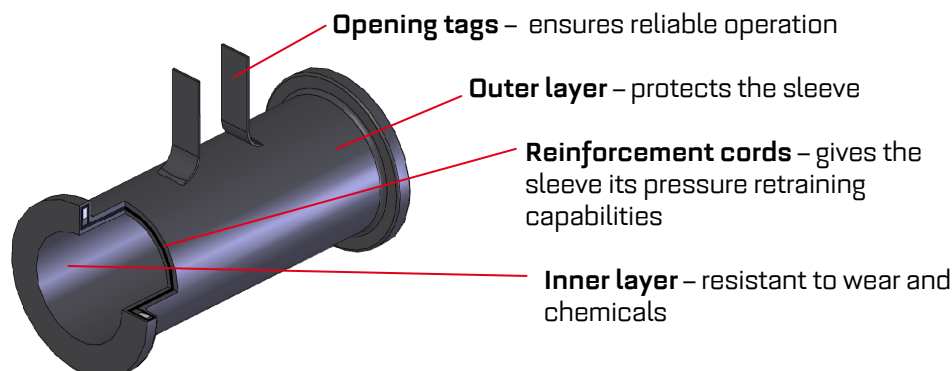
In the open position, the PVG valve is at full bore with no flow restrictions. Therefore it is an integral part of the pipeline and anything running through the pipeline can also pass through the valve.

PVG is designed to be a reliable and compact solution for flow control. Being a full port design the valves require the least pumping energy and do not reduce system head pressure. Installation is trouble free and the valve includes pre-installed rubber sleeves with opening tags, which withstand tough process conditions. This ensures long valve lifetime and minimal maintenance costs.

All these features add up to the lowest total cost of ownership (TCO).

CORE OF THE VALVE

The core of the PVG valve is its elastic sleeve, which is the only part in contact with the medium. Designed to withstand wear, corrosion and chemicals, Flowrox sleeves guarantee non-clogging, trouble-free operation and extended lifetime. The sleeves are bubble tight and easily replicable if necessary.



Product Specification

Materials:

Body - Cast iron
 Pusher - Cast iron
 stem black nitrated CS

Sleeve:

SBRT
 EPDM

Size:

50- 250 mm

Pressure:

10 bar (50- 150mm)
 6 bar (200-250mm)

Length:

Face to face according to EN558 ser 7.

Standard flange drillings:

DIN 10
 ANSI 150

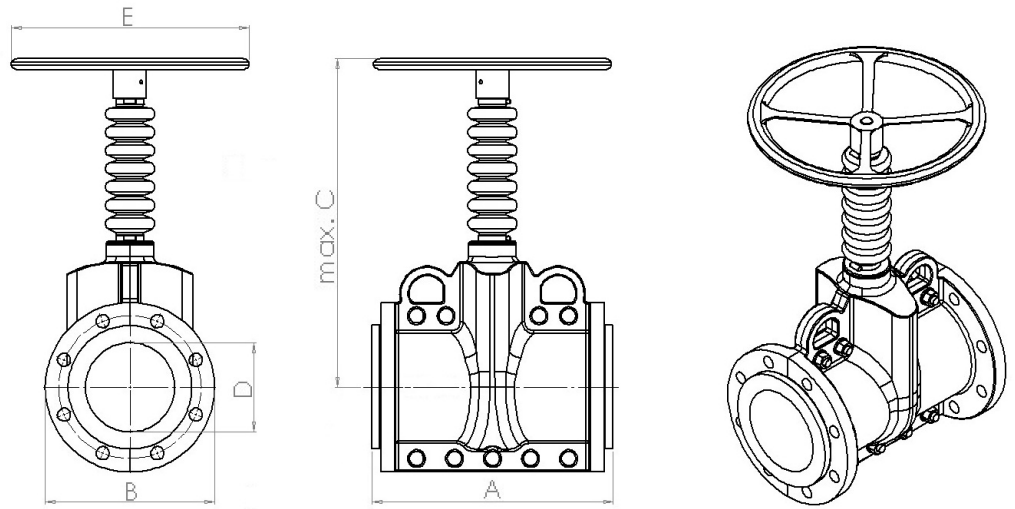
Actuators

- Manual

Applications

- Water and Wastewater treatment
- Mining and metal industries
- Mineral processing
- Power generation
- Sand and gravel
- Chemical
- Pulp and paper

DIMENSIONS AND WEIGHTS



Valve size	50 mm	80 mm	100 mm	150mm	200 mm	250mm
A	190	254	305	406	521	635
B	165	200	228	285	343	406
C	280	344	394	553	645	785
D	50	80	100	150	200	250
E	150	200	250	400	600	600
Weight KG	14	21	30	49	96	140
Maximum pressure BAR	10	10	10	10	6	6

Valve type marking e.g. PVG100M10 DIN

Dimensions are for guidance only – detailed dimensions drawings available on request. All dimensions are in millimeters, unless stated.

FLOWROX OY

P.O. Box 338, FI-53101 Lappeenranta, Finland
 Tel. +358 201 113 311, Fax +358 201 113 300
 info@flowrox.com, www.flowrox.com

